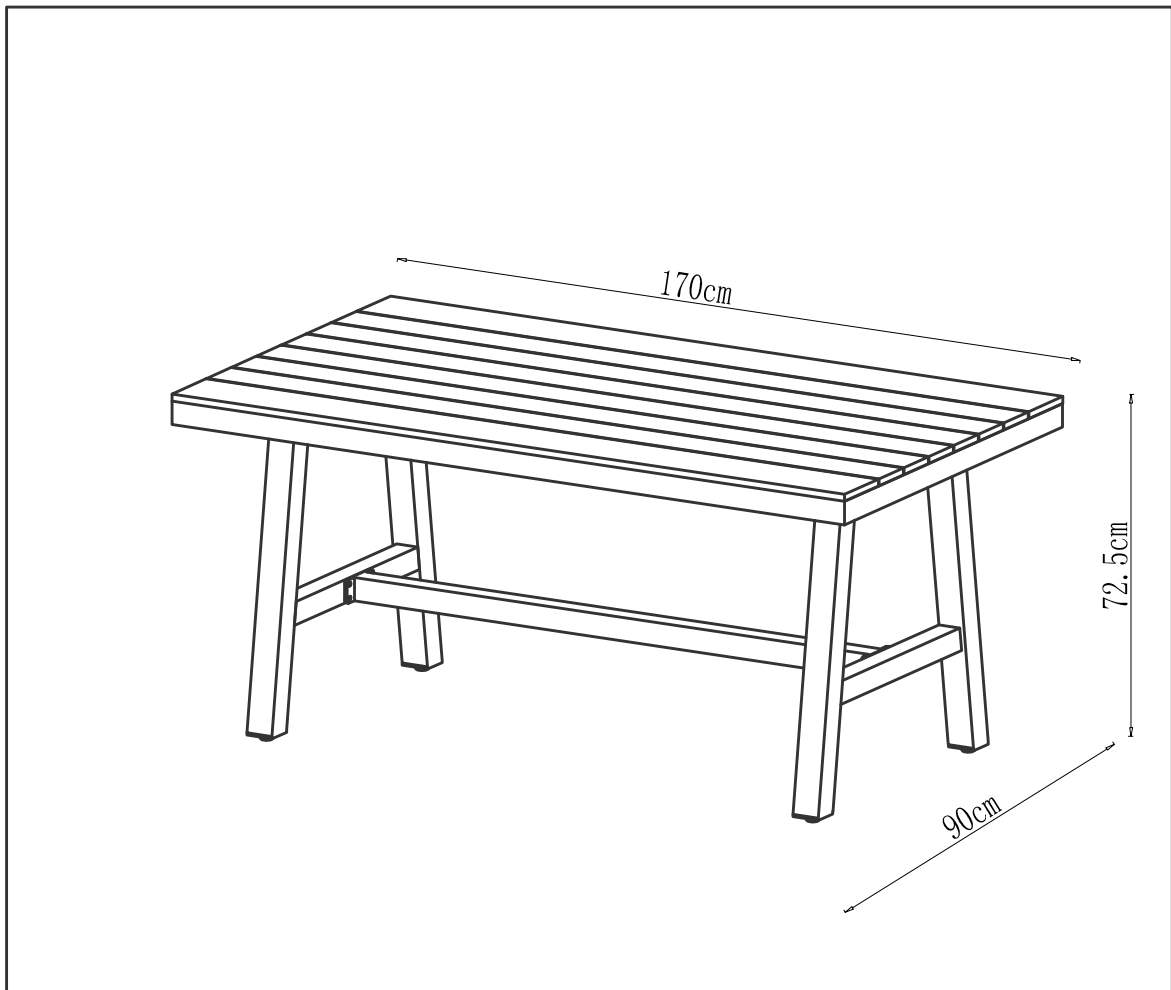




ASSEMBLY INSTRUCTION

SAN LUCAS MK2 - OUTDOOR DINING TABLE

ITEM CODE - 77204

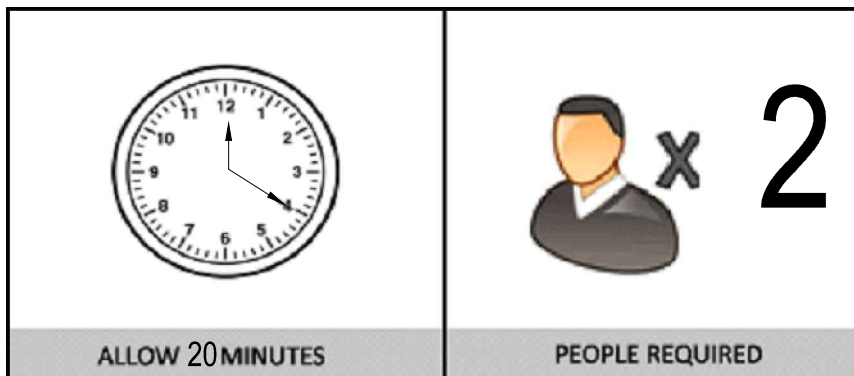


Imported by Amart Furniture Pty Ltd, Brisbane QLD, Australia .
For any assistance with assembly or for missing parts please phone
Amart Furniture, Customer Service Freecall 1800 351 084

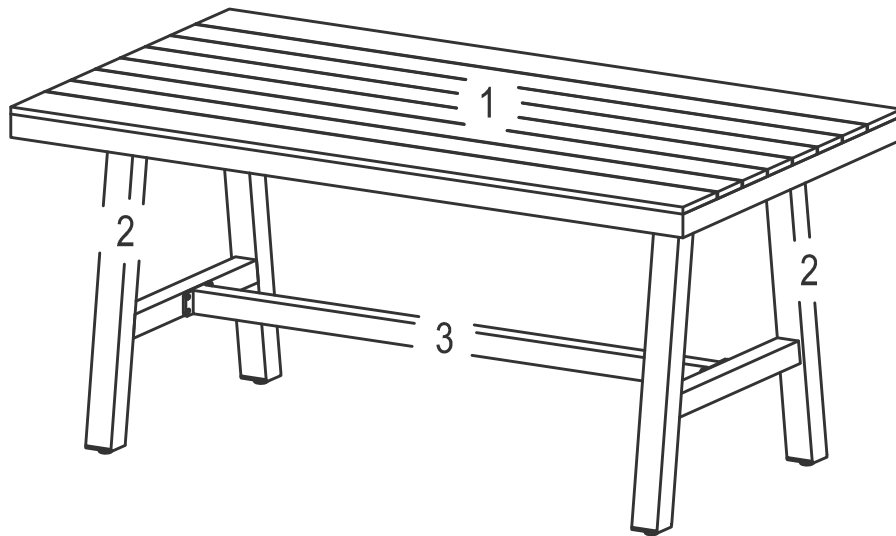
PRE-ASSEMBLY PREPARATION

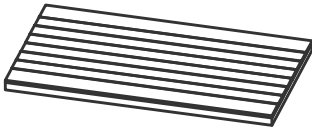


Before you start:


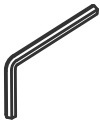

1. Choose a clean, level, spacious assembly area. Avoid hard surfaces that may damage the product.
2. Take care when lifting. Product should be assembled as near as possible to the point of use.
3. Ensure that you have all required contents for complete assembly.
4. Always read the assembly instructions carefully before beginning assembly.
5. Keep all hardware parts and packaging out of reach of small children.
6. Do not over tighten the screws and bolts as this may damage the threads.



PARTS LIST








<p>1. Table Top 1PC</p> 	<p>2. Legs 2PCS</p> 
<p>3. Fixed link 1PC</p> 	

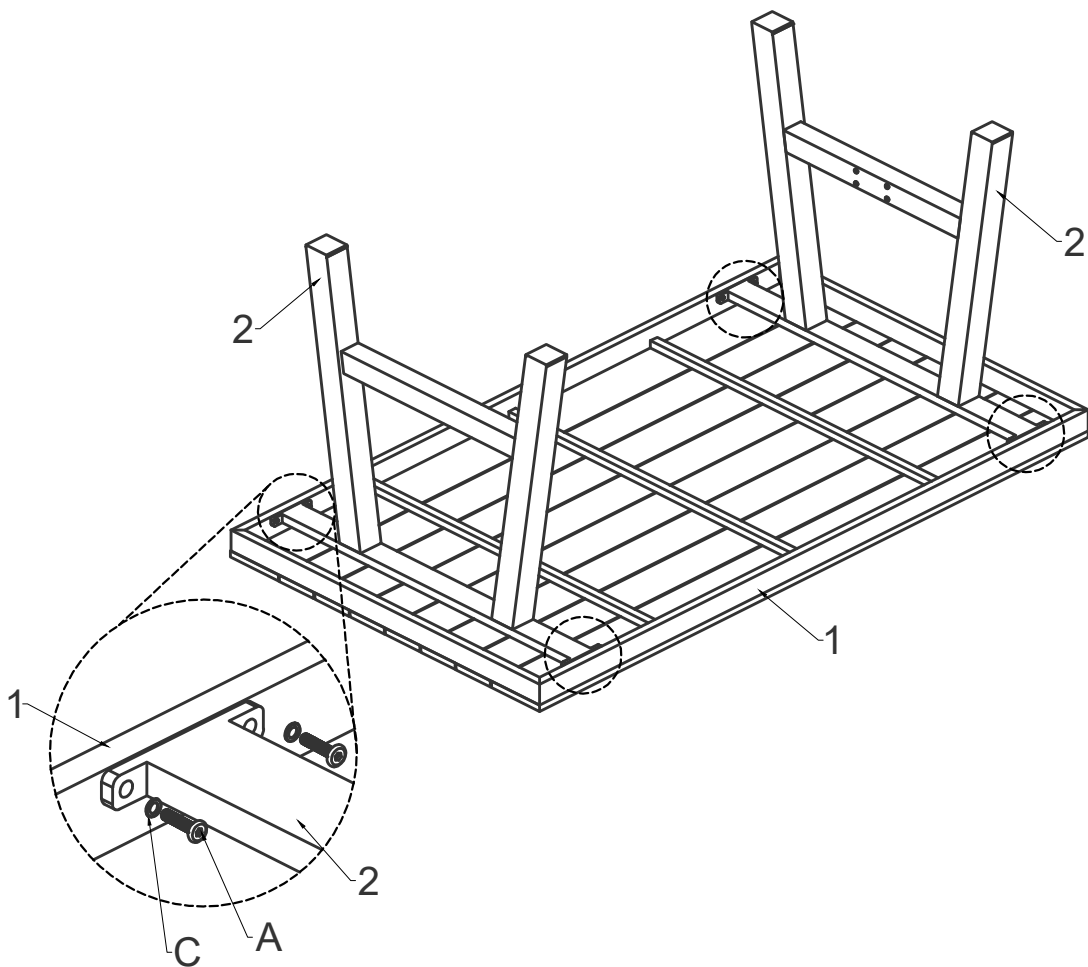
<p>A. Bolt</p>  <p>M6*25*16PCS</p>	<p>B. Hexagon Key</p>  <p>M6*1PC</p>	<p>C. Shim</p>  <p>M6*16PCS</p>
---	---	--

Step 1:

ITEMS REQUIRED



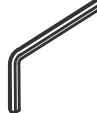

1. Table Top 1PC 	2. Legs 2PCS 	
A. Bolt  M6*25*8PCS	C. Shim  M6*8PCS	B. Hexagon Key  M6*1PC

- Attach legs (2) to table top (1) using bolt (A) with shim (C) .
- Insert all bolts before fully tightening .
- Tighten with hexagon key (B) .

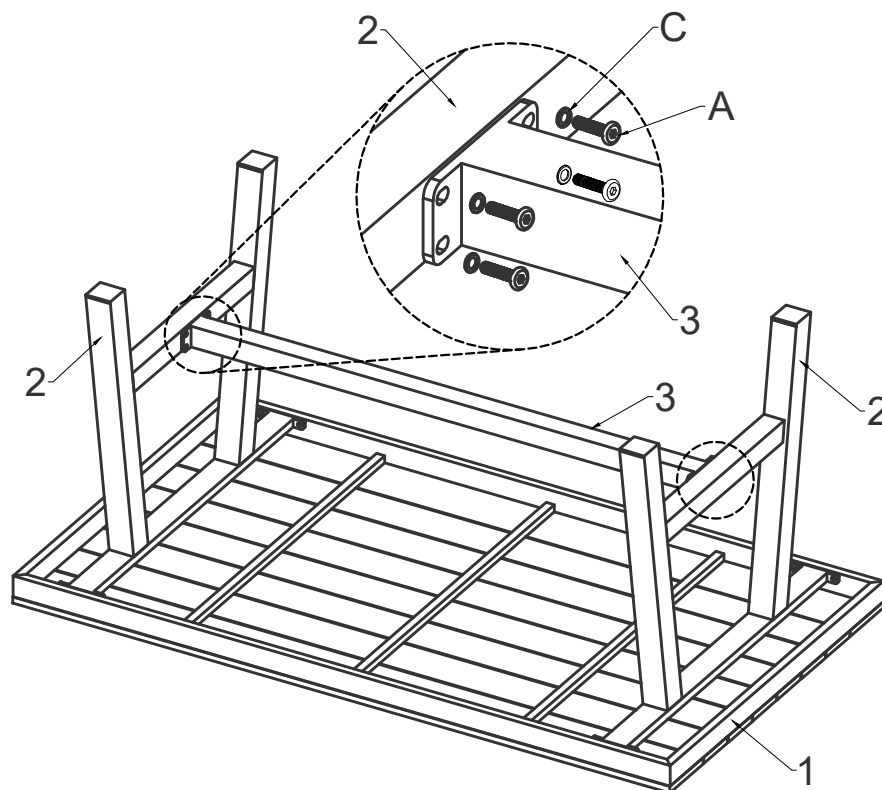


Step 2:

ITEMS REQUIRED

3. Fixed link 1PC 	C. Shim  M6*8PCS	B. Hexagon Key  M6*1PC
A. Bolt  M6*25*8PCS		

- Attach Fixed link (3) to legs (2) using bolt (A) with shim (C) .
- Insert all bolts before fully tightening .
- Tighten with hexagon key (B) .

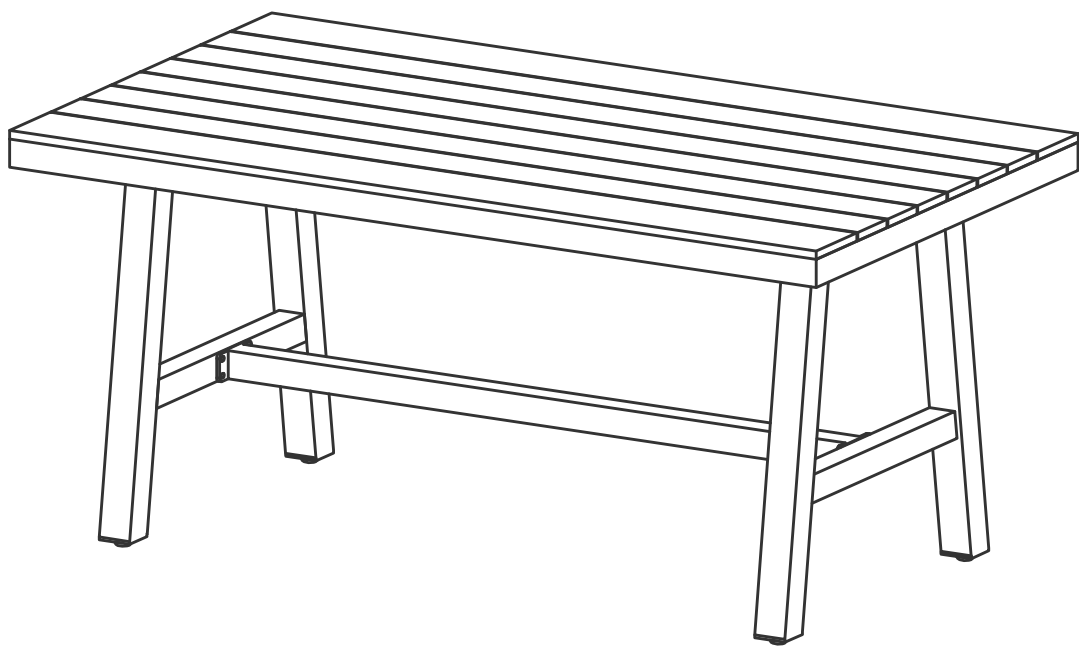


IMPORTANT NOTE:
ALWAYS USE TWO PEOPLE WHEN TURNING THE TABLE OVER

ASSEMBLY IS COMPLETE

CAUTION:

**ALWAYS LIFT YOUR PRODUCT WHEN MOVING/RELOCATING.
DO NOT DRAG. DRAGGING CAN CAUSE DAMAGE TO THE LEGS**



Care and maintenance

Aluminium

To ensure the longevity and maintain the appearance of your aluminium outdoor furniture, please follow these care instructions:

1.Usage and Storage:

This item is designed for outdoor use, but, like all man-made materials, it can suffer damage if left exposed to the elements. To extend its life, avoid prolonged exposure to weather conditions. Store the furniture indoors or under cover when not in use or use an outdoor cover (do not store on grass).

2.Avoid Excess Moisture:

DO NOT allow the furniture to remain wet or sit in standing water for long periods. Wipe the furniture dry immediately if it becomes wet. Excess moisture can cause corrosion.

3.Avoid exposure to chlorine & salt water:

Chlorine/salt can disrupt the protective oxide layer on aluminium, leading to accelerated corrosion. This is particularly problematic in environments with high chlorine concentrations, such as in swimming pools, homes within a short distance of the ocean or areas with heavy chlorination.

4.Cleaning:

Clean your furniture with care. Avoid using harsh solvents, abrasives, or chemicals. To remove dirt and grime, rinse with fresh water and dry thoroughly. For a deeper clean, use a sponge and a mild detergent solution as needed. Abrasive cleaners will scratch/damage the surface.

Live by the beach? Due to a process called “aerosolization”, sea water is broken up into tiny droplets by the wind and waves and salt particles are released into the air. This process accelerates the corrosion of metal surfaces over time. It is essential to use furniture covers when the product is not in use and clean your product more frequently.

By following these simple steps, you will help keep your furniture in great condition and ensure it remains a beautiful and functional part of your outdoor space.

Care and maintenance

Timber

To ensure the longevity and maintain the appearance of your outdoor timber furniture, please follow these care instructions:

- 1. Usage and Storage:** This furniture is designed for outdoor use, but prolonged exposure to harsh weather conditions can affect its integrity and appearance. To extend its life, avoid leaving the furniture exposed during extreme weather. Store it indoors or under cover when not in use or use a high-quality outdoor cover (do not store on grass).
- 2. Moisture Management:** Timber can be susceptible to moisture damage, including warping and mould growth. Avoid allowing the furniture to remain wet for long periods. Wipe off any spills immediately, and if the furniture becomes wet from rain, allow it to dry completely before covering it.
- 3. Protection from the Elements:** Different timbers have varying levels of natural resistance to the elements:
 - a. **Acacia:** While naturally durable, acacia benefits from periodic oiling to maintain its colour and to protect it against moisture and UV damage. It is recommended to oil acacia every 6-12 months.
 - b. **Teak:** Known for its natural oils, teak is highly resistant to water. For optimal care and to prevent it from weathering to a grey colour, apply teak oil every 6-12 months.
 - c. **Karri Gum:** This hardwood is robust but should be treated with a wood protector or sealer to enhance its durability and maintain its colour. Treatment intervals are dependent on exposure frequency however it is recommended this is applied every 6-12 months.
 - d. **Eucalyptus:** While naturally strong and durable, eucalyptus requires periodic oiling to maintain its colour and to protect it against moisture and UV damage. It is recommended to oil eucalyptus every 6-12 months.
- 4. Avoid Exposure to Chlorine & Salt Water:** Chlorinated and saltwater environments can accelerate deterioration of timber. If your furniture is near a pool or coastal area, clean it more frequently and use protective covers when not in use.
- 5. Cleaning:** Clean your furniture with care. Avoid using harsh solvents, abrasives, or chemicals. To remove dirt and grime, rinse with fresh water and dry thoroughly. For a deeper clean, use a sponge and a mild detergent solution as needed. Abrasive cleaners will scratch/damage the surface.

Timber expands and contracts with fluctuations in temperature and humidity. This will result in minor cracking but will not compromise the structural integrity of the product. By following the simple steps above, you will help prevent this cracking as well as keep your timber furniture in great condition, ensuring it remains a beautiful and functional part of your outdoor space.